

**VOLVO PENTA**

AB Volvo Penta  
Gullberg

**Parts**

Beh Tensioner Upgrade Kit for 032, 42WJ, 42, 43, 44	OB 20001-1-20	No. 44-48
Repl. by 46400 Jorgen Hedin	Repl...	Insert 4

210

Routing:  VP Importers ONLY  VP Importers + Dealers

Volvo Penta has introduced a new beh tensioner upgrade kit, PIN 877180. The new type of beh tensioner was introduced in production during 1999. The new improved design offers larger jockey pulleys but also a new, easier way of adjusting the beh. No special tools are longer needed, just a torque wrench.

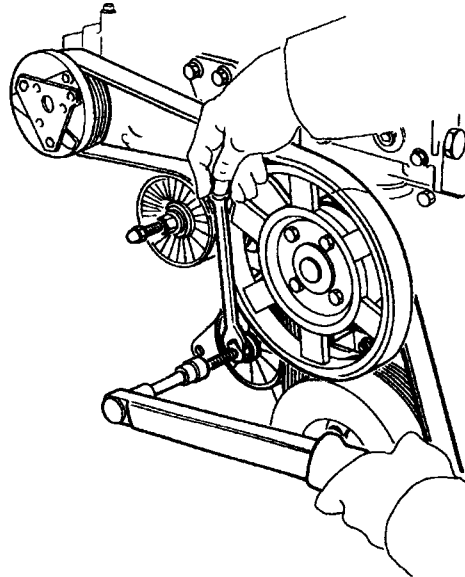
This kit upgrade engines with Poly-V belt only. Upgrading kit for converting old model 042 engines is also available, PIN 876954. (Parts Info 44-31)

Please note that the behs are not included in the new kit and have to be ordered separately.

Product	Belt PIN	
D32	861564	3581<160
D42WJ	861564	
042,043	861564	860388
D44	3582424	860388

Kit PIN 877180 consists of following parts:

PIN	Qty	Designation
3582167	1	Bracket
981975	1	Square neck screw
3582189	1	Spacer
3582166	1	Bracket
982331	1	Square neck screw
3582190	1	Spacer
3582168	2	Gear
3582324	2	Tension pulley
976945	2	Washer
971095	2	Nut
3582677	2	Nut
7740424	1	Assembly instruction



Volvo Penta Service Bulletins are provided to the public for reference purposes only. Please consult a certified Volvo Penta mechanic before attempting any repairs.

**Belt tensioner Upgrade Kit for 032, 42WJ, 42, 42, 44**

PART NO.	QTY	DESCRIPTION
876954	X	Servicekit
87118(f)	-- X	c-Se-rvICe-kif---

Volvo Penta Service Bulletins are provided to the public for reference purposes only. Please consult a certified Volvo Penta mechanic before attempting any repairs.